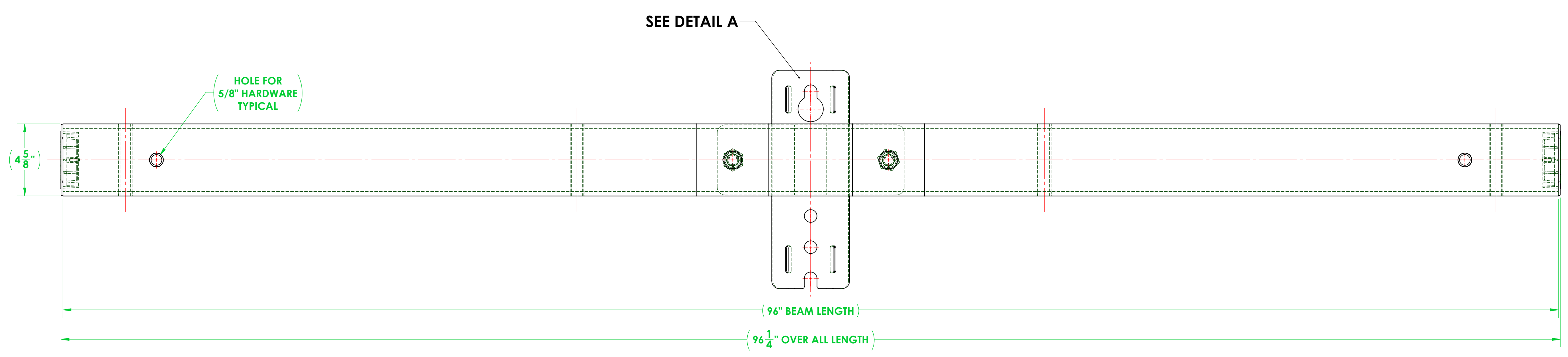
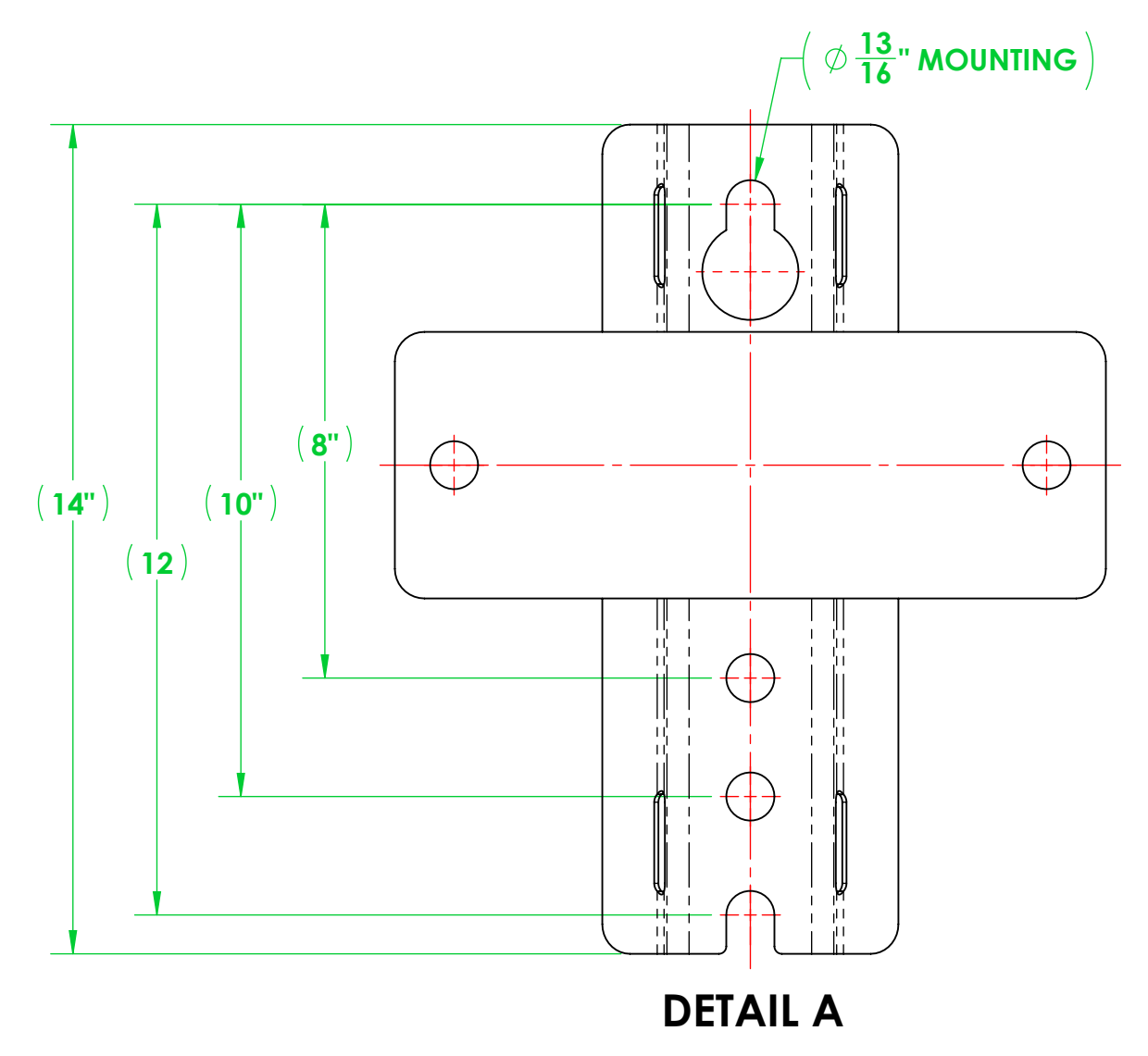
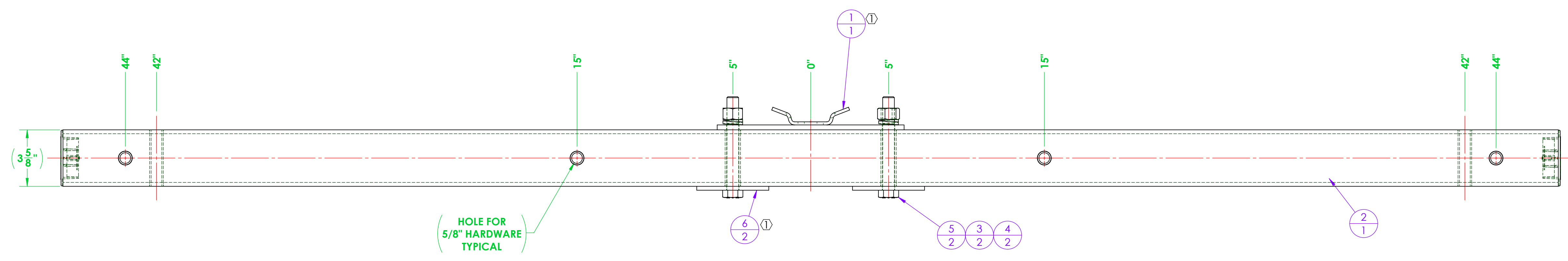



REVISIONS			
REV.	DESCRIPTION	DATE	APPROVED
-	NEW RELEASE	-	-
1	MOUNTING BRACKET WAS FABRICATED NOW PURCHASED, REPLACED COMPRESSION PLATE WITH 2 PLATE WASHERS.	4/23/2026	F. BRYANT



ITEM NO.	PART NUMBER	DESCRIPTION	QTY.
(1) 1	A700-0042	CROSSARM MOUNTING BRACKET, TANGENT, 3400 SERIES	1
2	3402A096-T011-X901 CA	ASSEMBLY, 3402, CROSSARM, TANGENT, 8 FT, AMERMEIN	1
3	A616-0042-01	LOCK WASHER, FOR 3/4\"/>	

GENERAL NOTES		UNLESS OTHERWISE SPECIFIED		NAME	DATE
DIMENSIONS ARE IN INCHES		STANDARD TOLERANCES		DRAWN	F. BRYANT 10/13/2025
FRACTIONAL: ±1/32		ANGULAR:		CHECKED	TJS 10/21/2025
MACHINED: ±0.5'		BEND: ±2'		ENG APPR.	
TWO PLACE DECIMAL: ±0.03		THREE PLACE DECIMAL: ±0.005		MFG APPR.	
INTERPRET GEOMETRIC TOLERANCING PER ANSI Y14.5		MATERIAL		Q.A.	
FINISH		PROPERTY AND CONFIDENTIAL			
DO NOT SCALE DRAWING		THE INFORMATION CONTAINED IN THIS DRAWING IS THE SOLE PROPERTY OF VETURIO. ANY REPRODUCTION IN PART OR AS A WHOLE WITHOUT THE WRITTEN PERMISSION OF VETURIO IS PROHIBITED.			



12208 MISSOURI BOTTOM ROAD, HAZELWOOD, MO 63042
PHONE: 314.714.4001 FAX: 314.895.1943
SALES@LABYRINTH-TECH.COM

TITLE:
ASSEMBLY, TANGENT, 3402, (4) WIRE, 8 FT.

SIZE DWG. NO. REV
D 3402A096-T011-X901 1

SCALE: 1:8 WEIGHT: 55.90 SHEET 1 OF 1